

SANYO

No. 4628

LC74FCT164245, 74FCT164245T**Fast 16-Bit CMOS Bidirectional Transceiver
(Supporting 3.3 to 5 V Operation)****Overview**

The LC74FCT164245 and LC74FCT164245T 16-bit 3.3-to-5 V translators are fabricated in an advanced two-metal-layer CMOS technology. These high-speed low-power transceivers are designed to be used as interfaces between 3.3 V and 5 V busses in 3.3/5 V dual power supply systems. The use of these products allows system designers to interface TTL-compatible 3.3 V components to 5 V components. The directionality and output enable control in these products is designed to allow them to be used as either two independent 8-bit transceivers or as a single 16-bit transceiver. In use, the A port is interfaced to the 3.3 V bus and the B port to the 5 V bus. The direction control pin (\times DIR) controls the data flow direction and the output enable pin (\times OE) disables directionality control and disables both ports. These control signals can be driven from either 3.3 V system or 5 V system devices. The LC74FCT164245T is optimal for driving large-capacitance loads and low-impedance loads. These output buffers can also be used as an interface between a dual-power-supply system and external 5 V system equipment. The LC74FCT164245 provides a balanced output drive function that incorporates 25 Ω (typical value) supply terminating resistors in each output to minimize ground bounce. The LC74FCT164245 features an inter-rail output amplitude and a control-type output edge rate. These features aim at improved signal quality. The LC74FCT164245 is optimal for use in on-board bus interfaces, and in particular, memory data buses.

Features

- 0.8 μ m CMOS technology
- 3.3 V bus to 5 V bus interface
- Bidirectional data transfer
- Control inputs can be driven from either 3.3 V or 5 V devices.
- Inter-rail output amplitude for both 3.3 V and 5 V ports
- ESD tolerance > 2000 V; MIL-STD-883 (when tested with the 3015 method)
- ESD tolerance > 200 V; For a machine model with C = 200 pF and R = 0
- 20 mil center SQFP

- Expanded temperature range: -40 to $+85^{\circ}\text{C}$
- $V_{CC1} = 5 \text{ V} \pm 10\%$, $V_{CC2} = 3.3 \text{ V} \pm 0.3 \text{ V}$

LC74FCT164245T Features

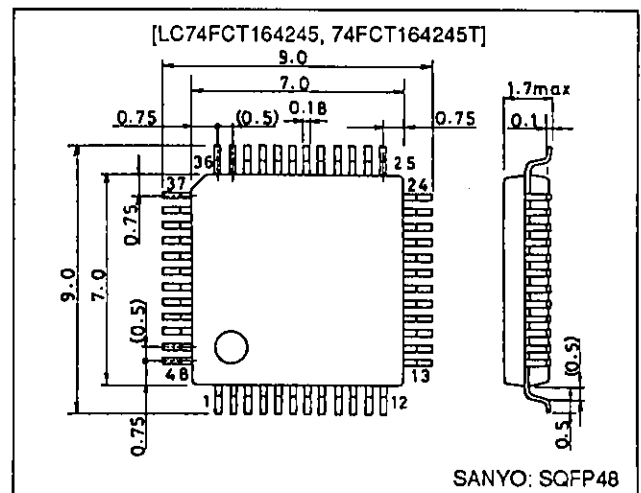
- High drive output levels (I_{OH} : -32 mA , I_{OL} : 40 mA)

LC74FCT164245 Features

- Balanced output drive: $\pm 24 \text{ mA}$
- No external resistors are required since series terminated outputs are used.

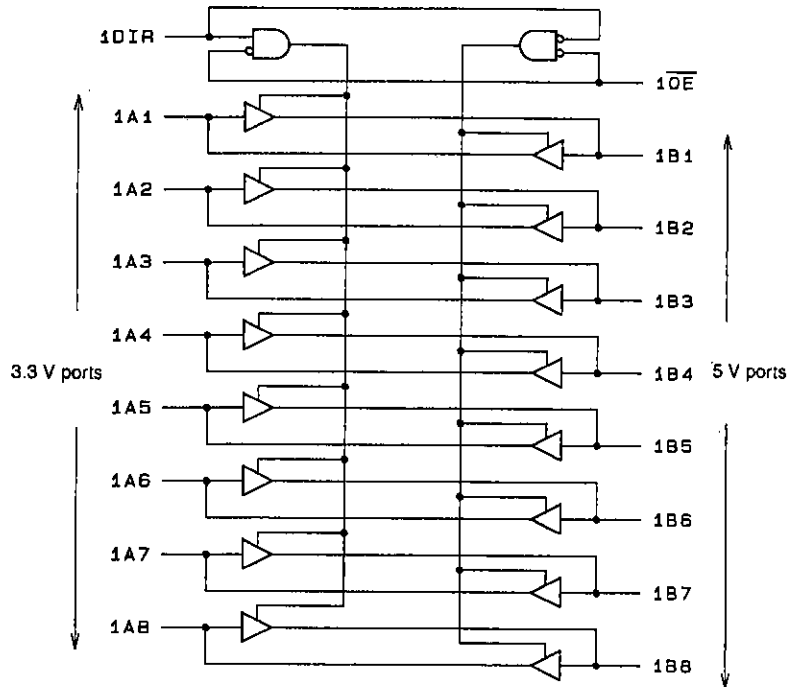
Package Dimensions

unit: mm

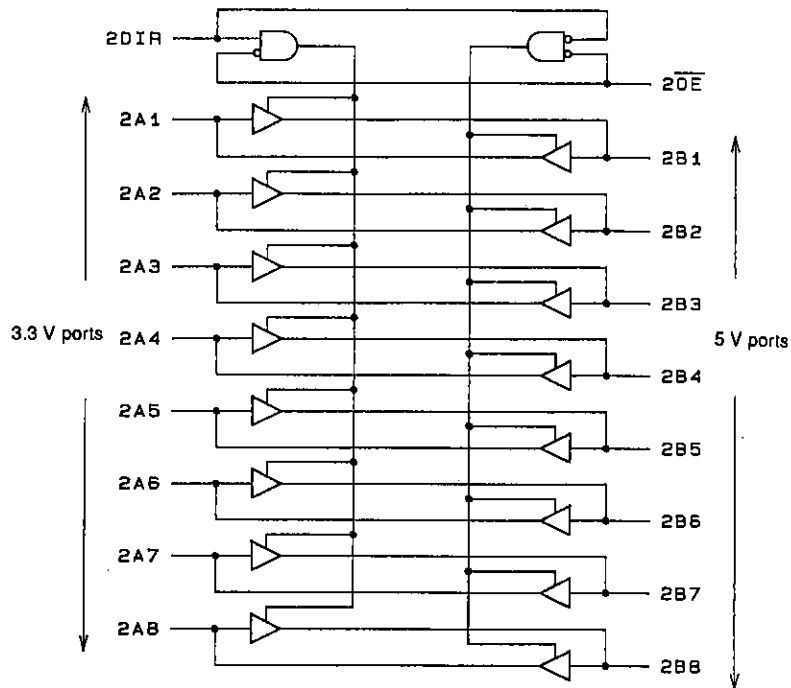
3163A-SQFP48**SANYO Electric Co., Ltd. Semiconductor Business Headquarters**

TOKYO OFFICE Tokyo Bldg., 1-10, 1 Chome, Ueno, Taito-ku, TOKYO, 110 JAPAN

Function Block Diagram



A02712



A02713

Power Supply Operating Sequences

Power on: Either apply V_{CC1} first and then V_{CC2} , or apply both at the same time.

Power off: Either turn off V_{CC2} first and then V_{CC1} , or turn off both at the same time.

Pin Functions

Pin	Function
x OE	Output enable input (active low)
x DIR	Direction control Input
x AX	A side input or three-state output
x BX	B side input or three-state output

Specifications

Absolute Maximum Ratings*1

Parameter	Symbol	Conditions	Ratings	Unit
Pin voltage referenced to GND	V_{TERM}^{*2}		-0.5 to +7.0	V
Pin voltage referenced to GND	V_{TERM}^{*3}		-0.5 to V_{CC1} (V_{CC2}) + 0.5	V
Operating temperature	T_{opr}		-40 to +85	°C
Temperature when bias is applied	T_{BIAS}		-55 to +125	°C
Storage temperature	T_{stg}		-55 to +125	°C
Power dissipation	P_T		*4	W
DC output current	I_{OUT}		-60 to +60	mA

Note: 1. Applying stresses in excess of the absolute maximum ratings may permanently damage the device. The values specified here are stress ratings only, and do not refer to operation under conditions outside either these conditions or the operating conditions. Operating for extended periods at the absolute maximum ratings may adversely influence device reliability. Unless otherwise specified, pin voltages must not exceed V_{CC1} (or V_{CC2}) + 0.5 V.

- 2. Inputs and the V_{CC1} pin
- 3. Outputs, I/O pins, and the V_{CC2} pin
- 4. See Figure 1.

Function Truth Table*

Input		Output
x OE	x DIR	
L	L	Bus B data output to bus A
L	H	Bus A data output to bus B
H	X	High-impedance state.

Note: * H = High level
 L = Low level
 X = Don't care

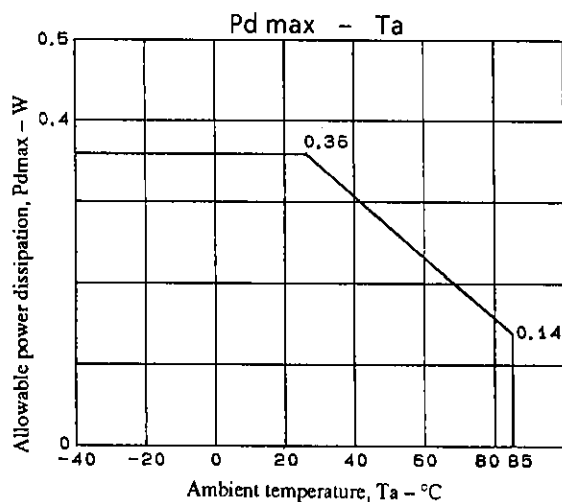


Figure 1

Capacitances ($T_a = 25^\circ\text{C}$)

Parameter*	Symbol	Conditions	min	typ	max	Unit
Input capacitance	C_{IN}			5.5	8.0	pF
I/O capacitance	$C_{I/O}$			4.5	6.0	pF

Note: * These capacitance values are logic values, and are not tested.

LC74FCT164245, 74FCT164245T

DC Electrical Characteristics in the Operating Ranges (A port: 3.3 V)

The following conditions apply unless otherwise specified.

$V_{CC1} = 5.0\text{ V} \pm 10\%$, $V_{CC2} = 3.3\text{ V} \pm 0.3\text{ V}$ $T_a = -40\text{ to }+85^\circ\text{C}$

Parameter	Symbol	Conditions*1	min	typ*2	max	Unit	
Input high level voltage	V_{IH}	Logic high level guaranteed	2.0		$V_{CC1} + 0.5$	V	
Input low level voltage	V_{IL}	Logic low level guaranteed	-0.5		+0.8	V	
Input high level current (input pins)	I_{IH}	$V_{CC2} = \text{max}$			± 0.5	μA	
Input high level current (I/O pins)							$V_I = V_{CC2}$
Input low level current (input pins)	I_{IL}	$V_{CC2} = \text{max}$			± 0.5	μA	
Input low level current (I/O pins)							$V_I = \text{GND}$
High impedance output current	I_{OZH}	$V_{CC2} = \text{max}$			± 0.5	μA	
	I_{OZL}						$V_O = V_{CC2}$
Output high level voltage	V_{OH}	$V_{CC2} = \text{min}, V_{IN} = V_{IH} \text{ or } V_{IL}$	$I_{OH} = -8\text{ mA}$	2.4	3.0	V	
			$I_{OH} = -0.1\text{ mA}$	$V_{CC2} - 0.2$		V	
Output low level voltage	V_{OL}	$V_{CC2} = \text{min}, V_{IN} = V_{IH} \text{ or } V_{IL}$	$I_{OL} = 24\text{ mA}$		0.3	0.5	V
			$I_{OL} = 0.1\text{ mA}$			0.2	V
Quiescent current	I_{CC2}	$V_{CC2} = \text{max}, V_{IN} = \text{GND or } V_{CC2}$		0.35	2.0	mA	

Note: 1. Values stipulated in the electrical characteristics for the corresponding product must be used for the test conditions for the maximum and minimum values.

2. Typical values are values for $V_{CC1} = 5.0\text{ V}$, $V_{CC2} = 3.3\text{ V}$, and an ambient temperature of $+25^\circ\text{C}$.

DC Electrical Characteristics in the Operating Ranges (B port: 5 V)

The following conditions apply unless otherwise specified.

$V_{CC1} = 5.0\text{ V} \pm 10\%$, $V_{CC2} = 3.3\text{ V} \pm 0.3\text{ V}$ $T_a = -40\text{ to }+85^\circ\text{C}$

Parameter	Symbol	Conditions*1	min	typ*2	max	Unit
Input high level voltage	V_{IH}	Logic high level guaranteed	2.0			V
Input low level voltage	V_{IL}	Logic low level guaranteed			0.8	V
Input high level current (input pins)	I_{IH}	$V_{CC1} = \text{max}$			± 5	μA
Input high level current (I/O pins)						
Input low level current (input pins)	I_{IL}	$V_{CC1} = \text{max}$			± 5	μA
Input low level current (I/O pins)						
High impedance output current (Three-state output pins)	I_{OZH}	$V_{CC1} = \text{max}$			± 10	μA
	I_{OZL}					
Quiescent current	I_{CC}	$V_{CC1} = \text{max}, V_{IN} = \text{GND or } V_{CC1}$		0.08	1.5	mA

Note: 1. Values stipulated in the electrical characteristics for the corresponding product must be used for the test conditions for the maximum and minimum values.

2. Typical values are values for $V_{CC1} = 5.0\text{ V}$, $V_{CC2} = 3.3\text{ V}$, and an ambient temperature of $+25^\circ\text{C}$.

LC74FCT164245T Output Drive Characteristics (B port: 5 V)

Parameter	Symbol	Conditions*1	min	typ*2	max	Unit
Output high level voltage	V_{OH}	$V_{CC1} = \text{min}, V_{IN} = V_{IH} \text{ or } V_{IL}$	$I_{OH} = -3\text{ mA}$	2.5	3.5	V
			$I_{OH} = -15\text{ mA}$	2.4	3.5	V
			$I_{OH} = -32\text{ mA}^*3$	2.0	3.0	V
Output low level voltage	V_{OL}	$V_{CC1} = \text{min}, V_{IN} = V_{IH} \text{ or } V_{IL}$		0.2	0.55	V
						$I_{OL} = 40\text{ mA}$

Note: 1. Values stipulated in the electrical characteristics for the corresponding product must be used for the test conditions for the maximum and minimum values.

2. Typical values are values for $V_{CC1} = 5.0\text{ V}$, $V_{CC2} = 3.3\text{ V}$, and an ambient temperature of $+25^\circ\text{C}$.

3. Do not test more than one output at a time. The test time must not exceed 1 second.

LC74FCT164245 Output Drive Characteristics (B port: 5 V)

Parameter	Symbol	Conditions*1	min	typ*2	max	Unit
Output low level current	I _{ODL}	V _{CC1} = 5 V, V _{IN} = V _{IH} or V _{IL} , V _{OUT} = 1.5 V*3	60	115	150	mA
Output high level current	I _{ODH}	V _{CC1} = 5 V, V _{IN} = V _{IH} or V _{IL} , V _{OUT} = 1.5 V*3	-60	-115	-150	mA
Output high level voltage	V _{OH}	V _{CC1} = min, V _{IN} = V _{IH} or V _{IL}	I _{OH} = -0.1 mA	V _{CC1} - 0.2		V
			I _{OH} = -24 mA	2.4	3.3	V
Output low level voltage	V _{OL}	V _{CC1} = min, V _{IN} = V _{IH} or V _{IL}	I _{OL} = 24 mA	0.3	0.55	V

Note: 1. Values stipulated in the electrical characteristics for the corresponding product must be used for the test conditions for the maximum and minimum values.

- 2. Typical values are values for V_{CC1} = 5.0 V, V_{CC2} = 3.3 V, and an ambient temperature of +25°C.
- 3. Do not test more than one output at a time. The test time must not exceed 1 second.

Power Supply Current Characteristics

Parameter	Symbol	Conditions*1	min	typ*2	max	Unit
Quiescent current	ΔI _{CC}	V _{CC1} = max, V _{CC2} = max, V _{IN} = V _{CC2} - 0.6 V*3		1.2	30	μA
High-level TTL inputs						
Operating supply current*4	I _{CCD}	V _{CC1} = max, V _{CC2} = max, outputs open, x \overline{OE} = x DIR = GND, toggling a single input, 50% duty cycle	V _{IN} = V _{CC2} , V _{IN} = GND	75	120	μA/MHz
			V _{IN} = V _{CC2} - 0.6 V, V _{IN} = GND	1.2	4.7	mA
Total supply current*5	I _C	V _{CC1} = max, V _{CC2} = max, outputs open, fi = 10 MHz, x \overline{OE} = x DIR = GND, toggling a single bit, 50% duty cycle	V _{IN} = V _{CC2} - 0.6 V, V _{IN} = GND			mA
			V _{IN} = V _{CC2} - 0.6 V, V _{IN} = GND	3.5	8.5	mA

Note: 1. Values stipulated in the electrical characteristics for the corresponding product must be used for the test conditions for the maximum and minimum values.

- 2. Typical values are values for V_{CC1} = 5.0 V, V_{CC2} = 3.3 V, and at an ambient temperature of +25°C.
- 3. For the TTL drive inputs (V_{IN} = 2.4 V), connect all the other inputs to V_{CC1} or GND.
- 4. Although this parameter cannot be directly measured, it is provided for calculating the total power dissipation.
- 5. I_C = I_{QUIESCENT} + I_{INPUTS} + I_{DYNAMIC}
 I_C = I_{CC} + ΔI_{CC} · D_H · N_T + I_{CCD} (f_{CP} · N_{CP} / 2 + fi · Ni)
 I_{CC} = Quiescent current (I_{CC1}, I_{CC2}, and I_{CCZ})
 ΔI_{CC} = Supply current for the high-level TTL inputs
 D_H = Duty cycle for the high-level TTL inputs
 N_T = The number of TTL inputs in D_H
 I_{CCD} = Operating current due to input transition pairs (HLH or LHL)
 f_{CP} = Clock frequency for register devices (zero for non-register devices)
 N_{CP} = The number of clocks input in f_{CP}
 fi = Input frequency
 Ni = The number of inputs in fi.

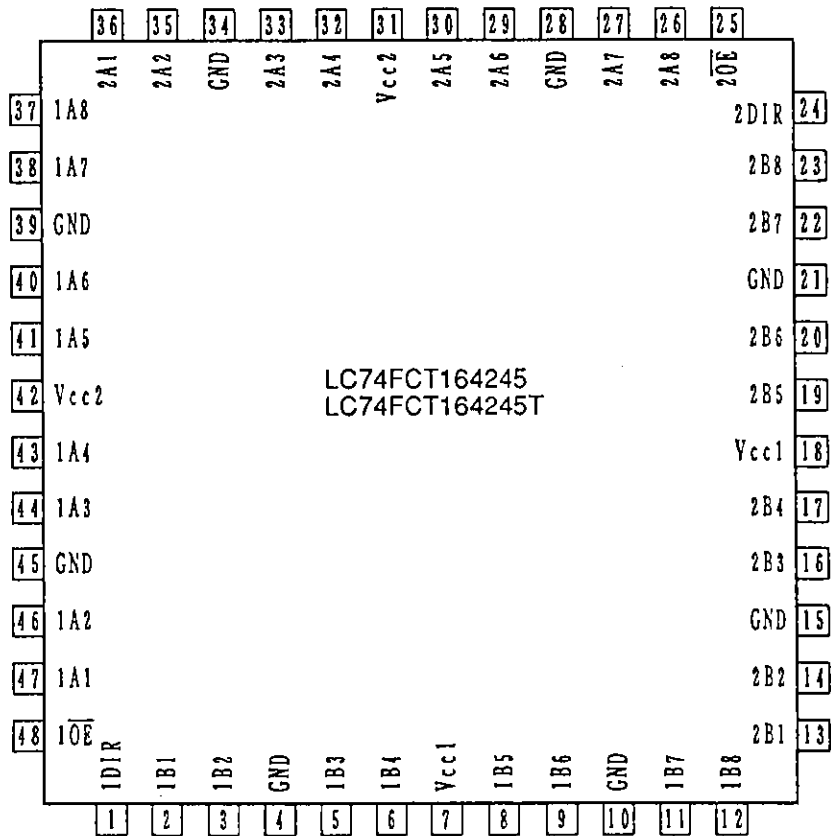
LC74FCT164245/164245T Switching Characteristics in the Operating Ranges

Parameter	Symbol	Conditions*1	min*1	typ	max	Unit
Transmission delay (From A to B or from B to A)	t _{PLH} , t _{PHL}	C _L = 50 pF, R _L = 500 Ω	1.5		7.0	ns
Output enable time (From x \overline{OE} to A or B)	t _{PZH} *1, t _{PZL} *1		1.5		12.0	ns
Output disable time (From x OE to A or B)	t _{PHZ} *1, t _{PLZ} *1		1.5		7.5	ns
Output enable time (From x DIRS to A or B*3)	t _{PZH} *2, t _{PZL} *2		1.5		9.5	ns
Output disable time (From x DIRS to A or B*3)	t _{PHZ} *2, t _{PLZ} *2		1.5		7.5	ns

- Note: 1. See the figures for the test circuit and waveforms.
- 2. Although the minimum values are guaranteed, the transmission delay is not tested.
- 3. This parameter is guaranteed but not tested.

LC74FCT164245, 74FCT164245T

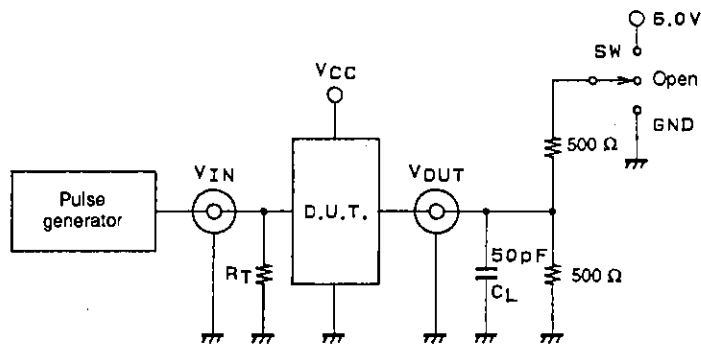
Pin Assignment



Top view

Test Circuit and Waveform Diagrams

Test Circuit for All Outputs



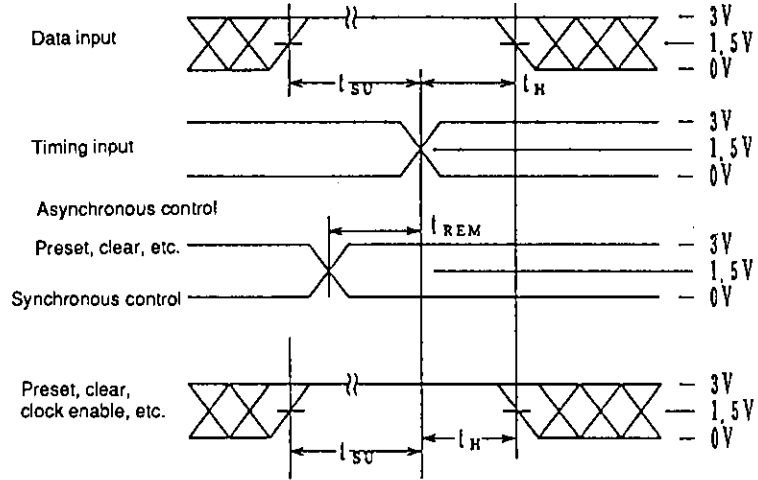
A02714

Switch Positions

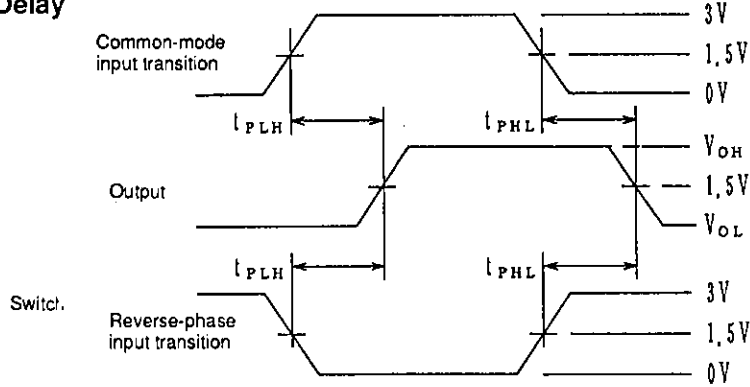
Test	Switch
Open drain, Disable low level, Enable low level	6.0 V
Disable high level, Enable high level	GND
All other tests	Open

Definitions: C_L = Load capacitance: including the jig and probe capacitances
 R_T = Terminating resistance: equivalent to the pulse generator's Z_{out} .

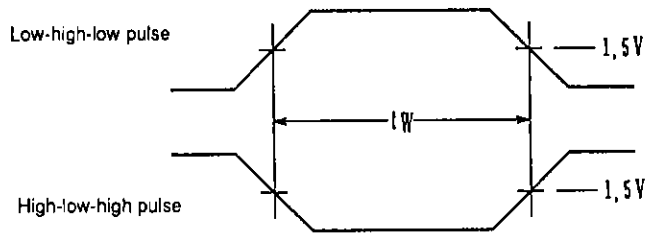
Setup, Hold, and Release Timing



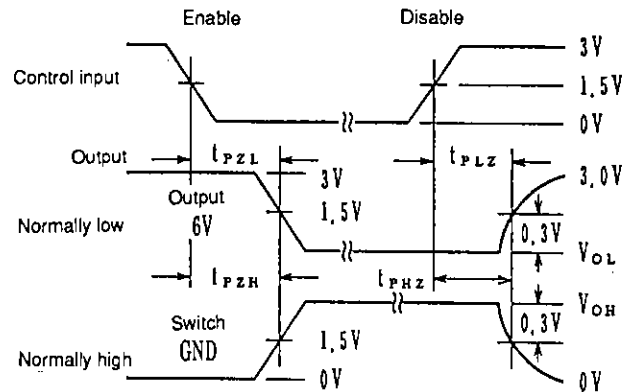
Transmission Delay



Pulse Width



Enable and Disable Timing



Note: 1. These diagrams are for the input enable low level and the input control disable high level cases.
 2. Pulse generator setup for all pulses: rate ≤ 1.0 MHz, $Z_0 \leq 50 \Omega$, $t_r \leq 2.5$ ns, $t_f \leq 2.5$ ns

■ No products described or contained herein are intended for use in surgical implants, life-support systems, aerospace equipment, nuclear power control systems, vehicles, disaster/crime-prevention equipment and the like, the failure of which may directly or indirectly cause injury, death or property loss.

■ Anyone purchasing any products described or contained herein for an above-mentioned use shall:

- ① Accept full responsibility and indemnify and defend SANYO ELECTRIC CO., LTD., its affiliates, subsidiaries and distributors and all their officers and employees, jointly and severally, against any and all claims and litigation and all damages, cost and expenses associated with such use;
- ② Not impose any responsibility for any fault or negligence which may be cited in any such claim or litigation on SANYO ELECTRIC CO., LTD., its affiliates, subsidiaries and distributors or any of their officers and employees jointly or severally.

■ Information (including circuit diagrams and circuit parameters) herein is for example only; it is not guaranteed for volume production. SANYO believes information herein is accurate and reliable, but no guarantees are made or implied regarding its use or any infringements of intellectual property rights or other rights of third parties.

This catalog provides information as of June, 1995. Specifications and information herein are subject to change without notice.